

RBC Bearings



Railway products

Self-lubricating spherical plain BEARINGS for railway applications

by Schaublin

Background

- Beginning in the middle of the 80's with railway applications, Schaublin has developed a solid expertise in designing and manufacturing spherical plain bearings for railway applications
- These applications require high performance in severe environments with vibrations, reverse loads, dust contamination, and humidity at high levels of strain

A Performance Solution

- Our bearings benefit from the advanced liner systems developed by RBC-Bearings, inventor and leader in liner technology
- The self-lubricating liner operates on an appropriate sliding surface, creating a PTFE lubricant film at the sliding interface of the bearing
 - Low coefficient of friction
 - Very low wear rate at high load levels in oscillatory conditions
 - High static strength and increased stiffness
 - Excellent behavior in vibratory conditions due to the inherent damping qualities of the woven fabric liner
- Most of our bearings are equipped with high strength seal boots, which effectively prevent the bearing heart from contamination

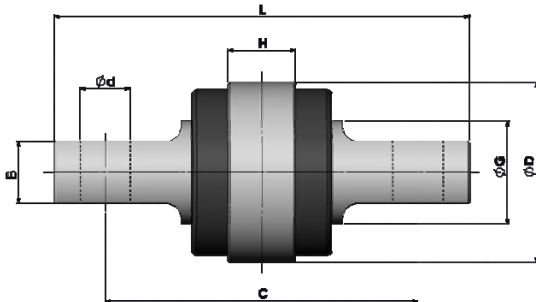
Typical applications

High speed trains, intercity trains, Metros and Tramway systems

- Anti roll bar linkages
- Suspension, damper joints
- Tilt mechanism and actuation bearings
- Car coupler systems

Certified supplier

- RBC Schaublin is approved by numerous major companies in the railway and aerospace industry
- SNCF AQF-2 approved supplier
- RBC Schaublin develops highly engineered products to customer specifications



PN#	Ø D [mm]	L [mm]	H [mm]	C [mm]	Ø d [mm]	B [mm]	Ø G [mm]	Out of plane α [°]	Weight [kg]
SSE99001	62	115	25.2	88	13	16	31.8	23	1.05
SSE99002	75	128	28.2	94	17.5	16	37.8	15	1.7
SSE99003	75	173	28.2	130	19	26	43	15	2.25
SSE99004	75	128	28.2	98	17.5	16	37.8	15	1.7
SSE99005	40	100	19	78	10.5	10	23.5	9	0.4
SSE99006	55	125	25	90	17	22	32	15	0.9
SSE99007	55	125	25	90	17	22	32	15	0.95
SSE99009	75	130	28.2	90	22	25	44	6	1.7
SSE99010	62	152	22	120	18	18	32	23	
SSE99011	62		22					23	0.4
SSE99012	62	120	21.7	88	17.5	16	35	18	1
SSE99013	55	125	25	90	17	22	32	18	0.85
SSE99014	55	125	25	90	17	22		19	0.93
SSE99015	75	128	28.2					16	2.05
SSE99016	70	150	22	110	M20x2.5	28.2	37	20	1.67
SSE99017	70	150	22	110	17	28.2	37	20	1.72
SSE99018	55	115	25	80.3	17	22	32	17	0.85
SSE99020	55	125	25	90	17	22	32	15	0.93
SSE99021	40	100	19	78	10.6	10	23	9	0.42
SSE99022	62		22					23	0.4
SSE99023	75	128	28.2	98	17.5	16	37.8	15	1.7
SSE99024	75	173	28.2	130	19	26	43	15	2.3
SSE99027	75	128	28.2	96	17	16	37.8	15	1.7
SSE99028	75	155	28.2	120	17	16	40	21	1.9
SSE99029	75	173	28.2	130	21	26	43	15	2.21
SSE99030	62	115	25	88	13	16	31.8	4	1.26
SSE99031	75	139.7	28.2	101.6	20.6	16	41.5	15	1.73
SSE99032	62	115	25	88	13	16	31.6	24	1.05
SSE99116	70	150	40	110	M20x2.5	28.2	37	11	1.67
SSE99117	70	150	40	110	17	28.2	37	11	1.72
SSE99201	62	115	40	88	13	16	31.8	9	1.23
SSE99203	75	171.5	42	130	19	29	45.8	11	2.65
SSE99273	75	171.5	42	130	19	29	45.8	19	2.65



SCHAUBLIN

ISO9001
EN9100

IRIS
EN9120

www.schaublin.com
Tel. +41 32 421 13 00
www.rbcfrance.com
Tel. +33 160 92 17 35
Fax. +33 169 86 12 84